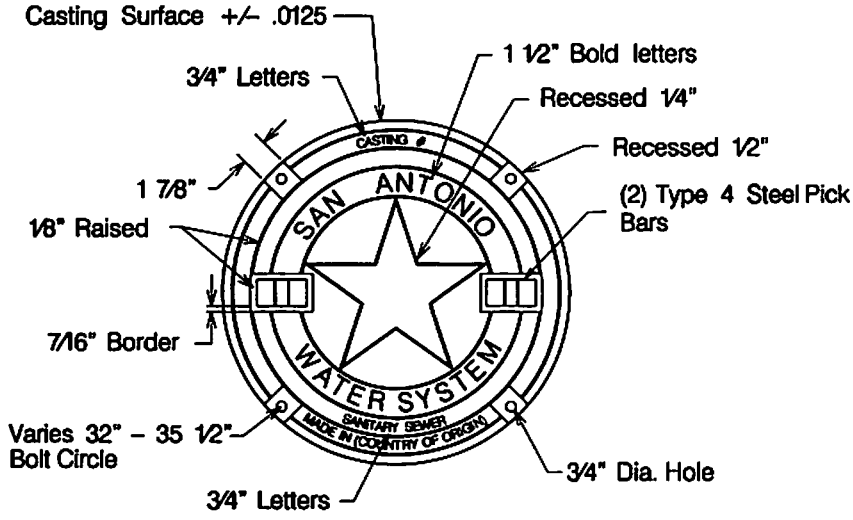
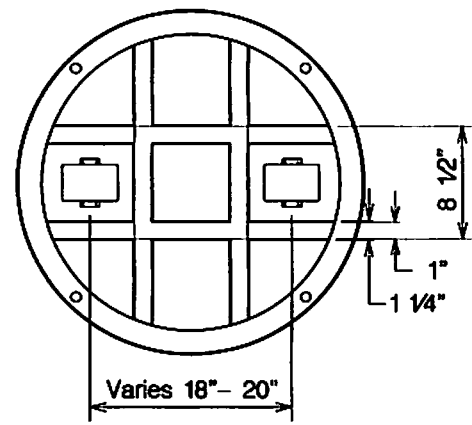


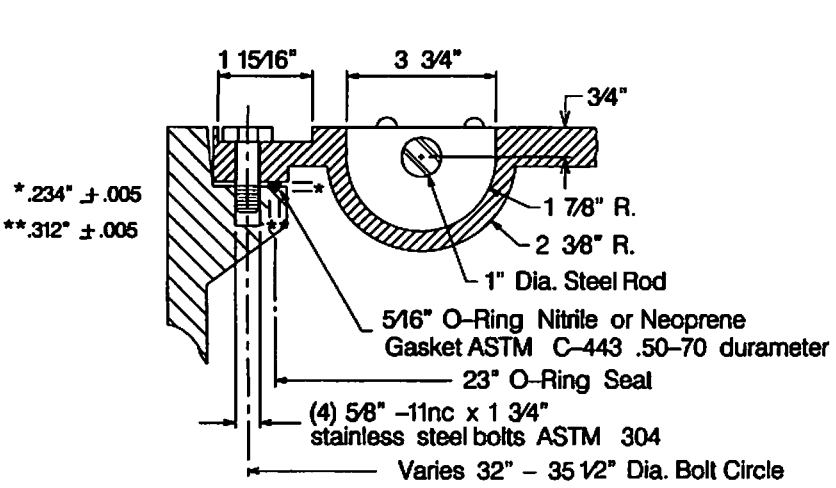
MATERIAL STANDARDS REQUIREMENTS
 ASTM A 48 Class 30 B AASHTO M-306-89
 Ring Wt 220 +/- 5 Lbs. Lid Wt 200 +/- 5 Lbs.



COVER FACE
 (Unpainted +/- .125)



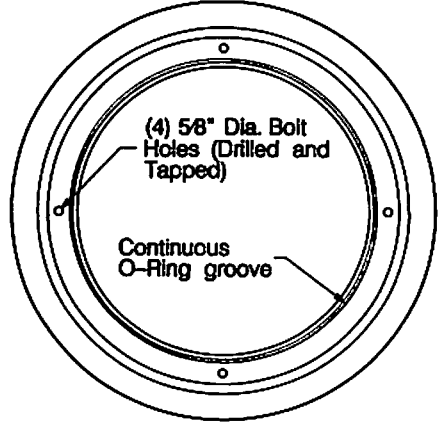
COVER BACK
 (Unpainted +/- .125)



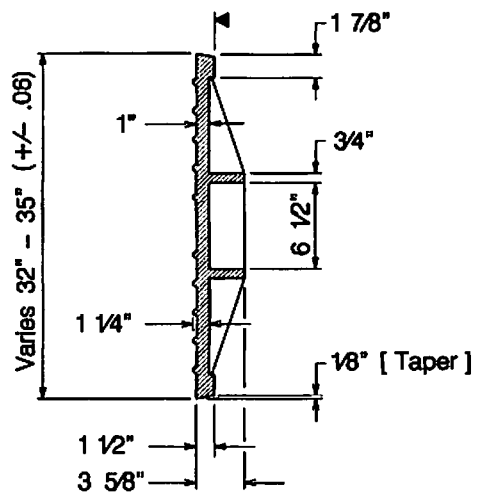
WATERTIGHT AND PICK BAR DETAIL

Manhole shall be proof-load tested to 40,000 lbs. in accordance with AASHTO M-306-89

Covers and Rings shall be interchangeable with approved manufacturers.

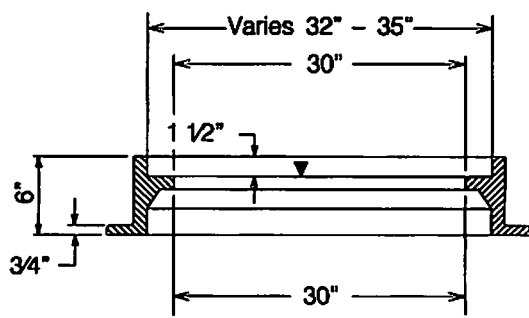


FRAME TOP VIEW



COVER SECTION
 (Unpainted +/- .125)

▼ All seating surfaces shall be machined (+/- .06).



FRAME SECTION
 (Unpainted +/- .125)

PROPERTY OF
SAN ANTONIO WATER SYSTEM
 SAN ANTONIO, TEXAS

MANHOLE RING AND COVER DETAIL

APPROVED
 March 2008

REVISED
 June 2009

DD-852-07

SHEET
1 OF 1